

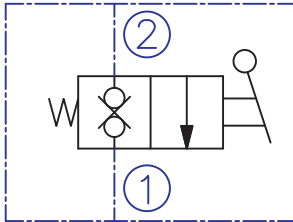
DESCRIPTION

A manual , 2-way , pull-to-open , screw-in , hydraulic directional control valve.

OPERATION

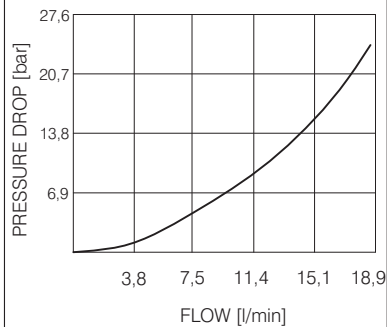
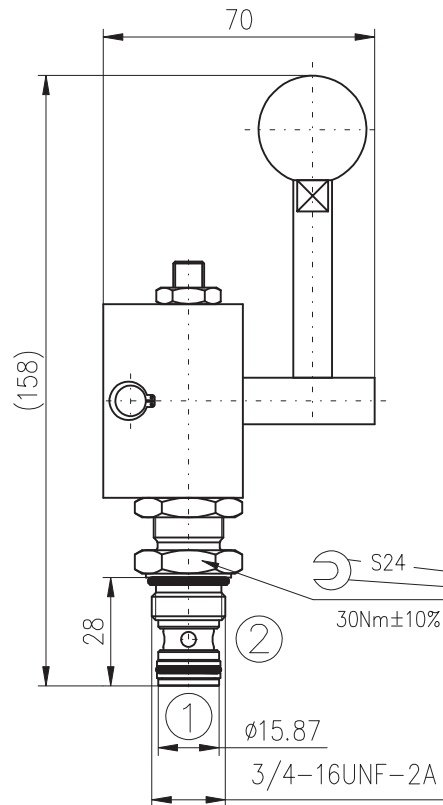
The MV08-2B-A blocks flow from 2 to 1 until an operator pulls the lever outward.

Note: Port 1 is intended to be a tank port only.

SYMBOL

PERFORMANCE

Cartridge only

2 to 1
32cSt oil at 40°C


DIMENSIONS

ORDERING CODE

MV08-2B-A ***

Manual spring return valve

Seals: Buna N - N
 Viton V - V

TECHNICAL DATA

Operating pressure:	250bar
Flow: See Performance Cart	
Internal leakage:	0,25cc/minute max. at 250bar
Working liquid-hydraulic oils with characteristics: -viscosity -degree of filtration -temperature	10...400 cSt 0,025 mm -20...+80°C
Cavity: See "Cavities and bodies" broshure	CC08-2